

Thank you purchasing the KTS1011 BrandStand™ EZ-Change Dispenser Stand. The stand design allows for an adjustable dispenser height to accommodate different users and provides a large space above the dispenser for displaying and easily changing marketing or instructional messages. It accommodates a range of different dispensing systems offered by Best Sanitizers.

We encourage you to thoroughly read this instruction manual before assembling the unit. Keep this instruction manual handy for future reference.

Parts & Accessories

- Panel 1
- Stand tube 1
- Stand platform 1
- Assembly screws 2
- Dispenser screws 4
- Instruction manual 1

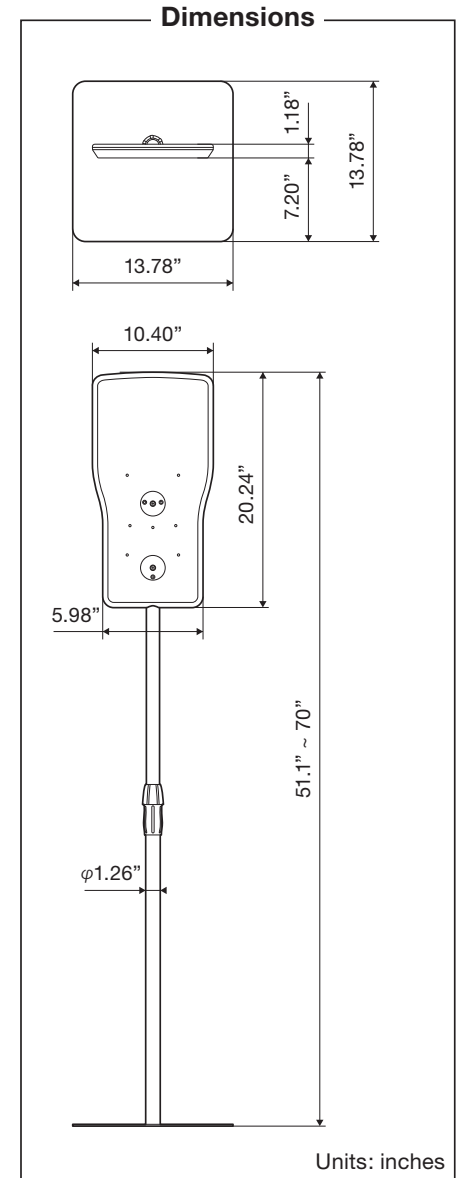
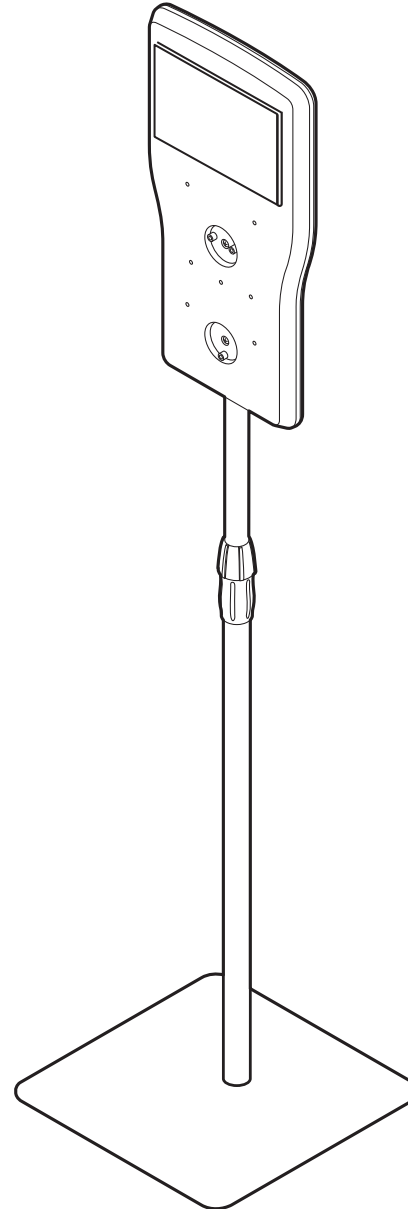
Tools Required

- Phillips screwdriver 1

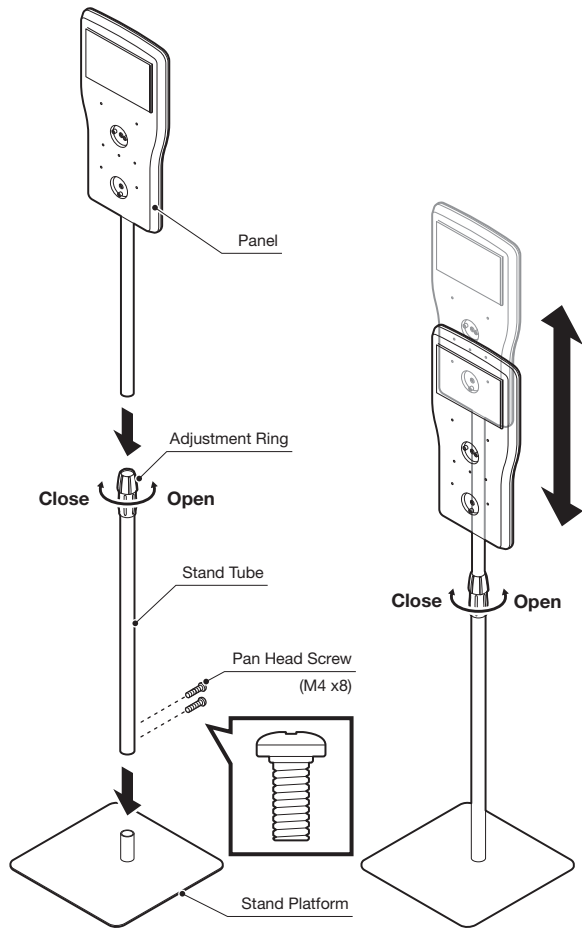
Specifications

Item	Details
Name	BrandStand™ EZ-Change
Model	KTS1011
Dimensions	W13.8 x D13.8 x H51.1~70 inches
Weight	Approx. 15.5 lbs (excluding packaging)
Materials	Stand platform Painted steel Stand tubes Painted steel Adjustment ring ... PP Panels ABS
Dispensers	VersaClenz & AutoMyst 2

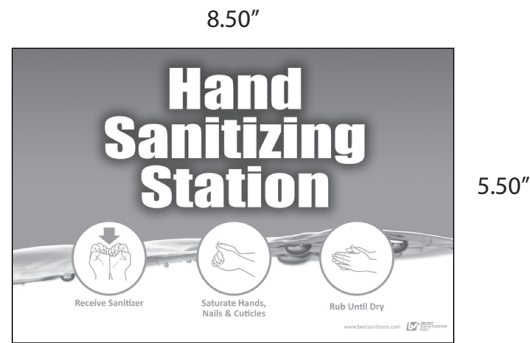
*Specifications are subject to change without notice or any obligation on the part of the manufacturer.



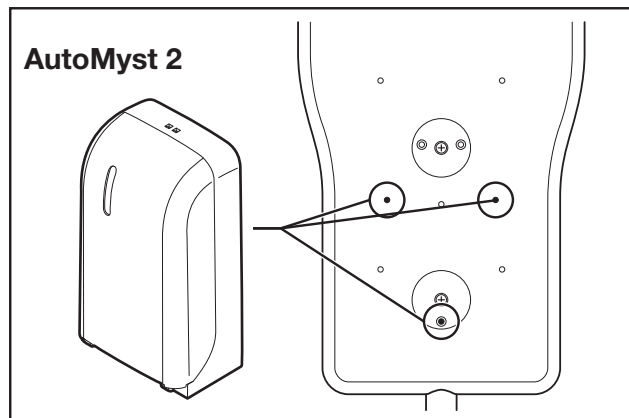
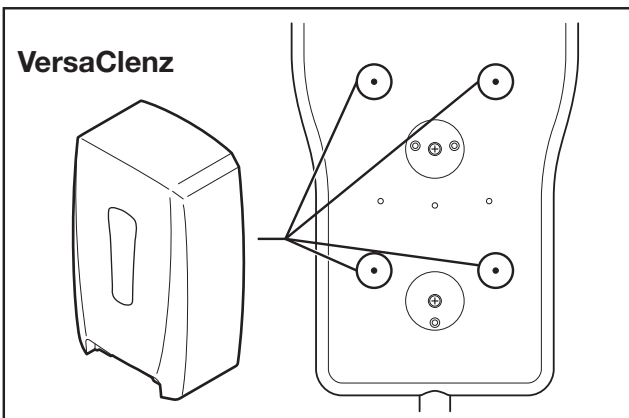
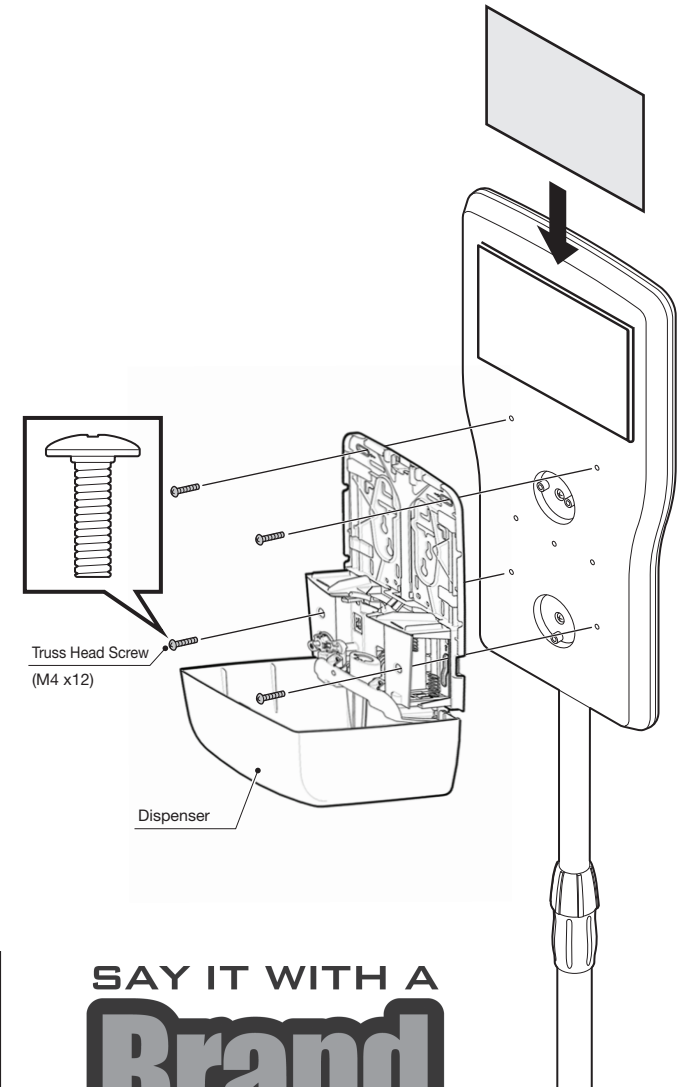
1 Assembly



2 Installation



The BrandStand EZ Change arrives with signage already provided. Simply flip the sign over to use the provided message, or easily create your own using the provided dimensions. A standard 8.5" x 11" cut in half at the length is all you need. Thicker paper is ideal, but not necessary.



SAY IT WITH A
Brand Stand™

For more information visit:
www.gobrandstand.com

©2013 Best Sanitizers, Inc.