

Instruction Manual

Thank you for purchasing the BrandStand Video Adjustable Dispenser Stand. We suggest you thoroughly read the instruction manual before assembly and use. Keep this instruction manual handy for future reference.

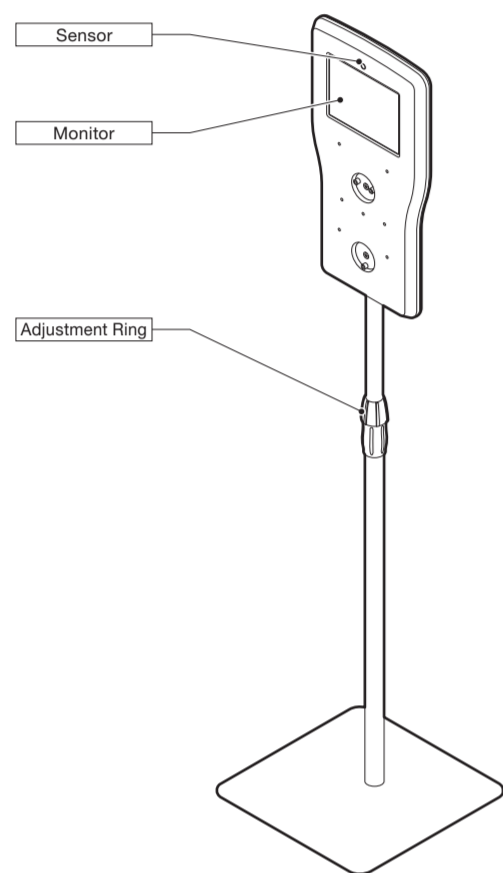


Table of Contents		Page
Safety Precautions		1
Principal Parts		3
Assembly		7
Attach the Dispenser		10
How to Use		13
Maintenance		26
Before Calling for Repair		24
Specifications		25
Inquiries		Back Panel

- Parts & Accessories**
- Panel 1
 - Stand Tube 1
 - Stand Platform 1
 - Pan Head Screw (M4 x8) 2
 - Truss Head Screw (M4 x4) 4
 - Key 1
 - AC Adapter 1
 - Extension Cable 1
 - Instruction Manual 1

- Tools for Assembly**
- Phillips Screwdriver
- Stand Assembly**
1. Use pan head screw (M4 x8) and inset stand tube in stand platform.
 2. Open adjustment ring and inset panel in stand tube.
 3. Close adjustment ring.

Principal Parts 3



Safety Precautions 1

Thoroughly read these safety precautions before using the unit. The precautions stated in this manual describe important safety information. It is recommended that you follow these precautions. After reading, keep this manual readily available for future reference. For more information, please call our customer service department at 888-225-3267.

Definitions		Symbols	
Warning	Improper handling will result in serious injury (*1) or death.	Never attempt this	
Caution	Improper handling will result in injury (*2) and/or property damage (*3)	Be sure to follow directions	

Installation Precautions

- Warning**
Do not use the unit except for its designated purpose. Usage outside the unit's specifications may cause injury or unit malfunction.
- Warning**
Securely position on a strong and level surface. Injuries or damage may result from the unit falling or tipping over.
- Prohibit**
Keep away from humidity, dirt and dust. It may cause electric shock, fire or unit malfunction.
- Prohibit**
Do not install near open flames or near anything that generates sparks. May cause damage or fire. Just in case, keep a fire extinguisher nearby.
- Prohibit**
Keep away from places with possible oil or gas leakage. It may cause ignition.
- Information**
Set up the product in a place with adequate ventilation. Inadequate ventilation may cause fire or nausea.
- Caution**
Do not install where directly exposed to sunlight or high temperatures. May cause unit malfunction.

Safety Precautions 2

- Usage Precautions**
- Warning**
Never install this product near sources of open flames such as candles, incense, insect candles, or cigarettes. May cause fire or unit malfunction.
 - Prohibit**
Do not pour or splash water on the unit. It may cause electric shock, fire or unit malfunction.
 - Prohibit**
Do not place or hang items on the unit. The unit may cause damage or injury due to tipping or falling.
 - Prohibit**
Do not use excessive pressure when operating buttons. It may cause unit malfunction.
 - Information**
Perform regular maintenance. In order to maintain the unit's safety and quality, perform regular cleaning.
 - Information**
Use only recommended dispensers. Unit is designed to only accept VersaClenz and AutoMyst dispensers.
 - Prohibit**
Do not drop or subject to strong impact. Abusive handling may cause unit malfunction.
 - Information**
Watch your fingers when closing the cover. It may cause injury.
 - Information**
Unplug power source before cleaning. It may cause electric shock or fire.

Repair Precautions

- Prohibit**
No one other than an authorized technician should attempt to disassemble, repair or modify the unit. If you have questions, please contact your distributor or Best Sanitizers.

Disposal Precautions

- Information**
Obey the laws and regulations in your country and area when disposing of the unit.

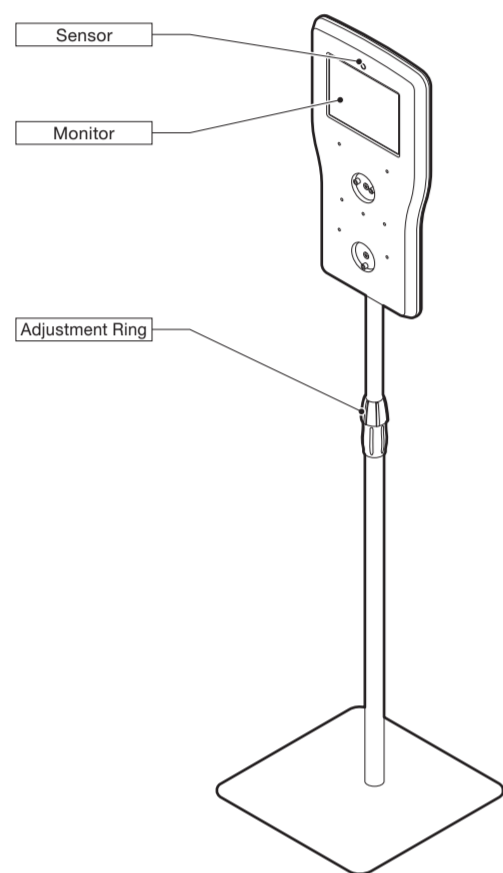
Safety Precautions 2

BEST SANITIZERS INC.
PO Box 1360
Penn Valley, CA 95946

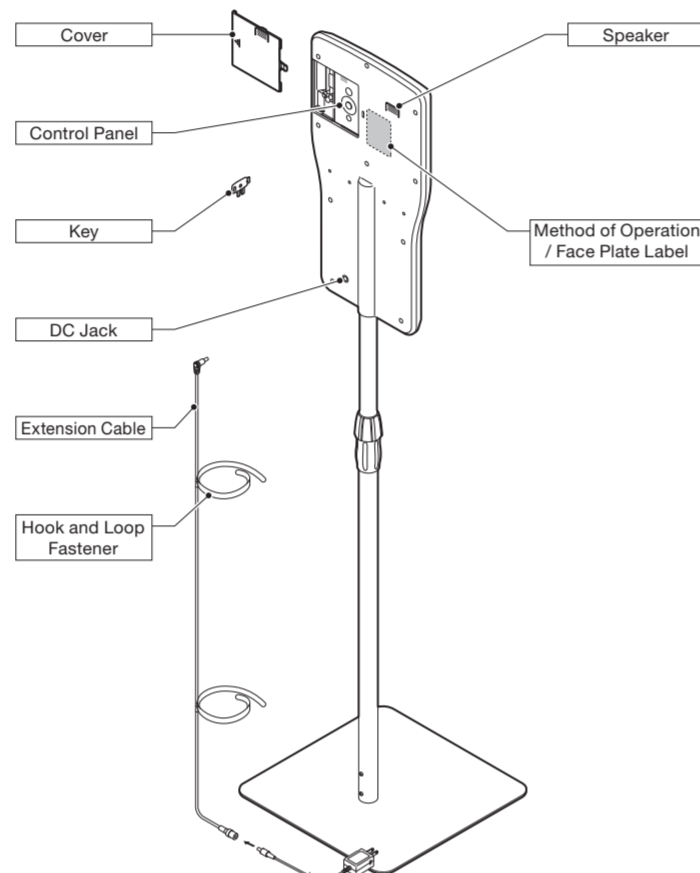
Phone: 888-225-3267
email: info@gobrandstand.com
www.gobrandstand.com

© 2013 Best Sanitizers, Inc. 104-284-00.000

Principal Parts 3



Principal Parts 4

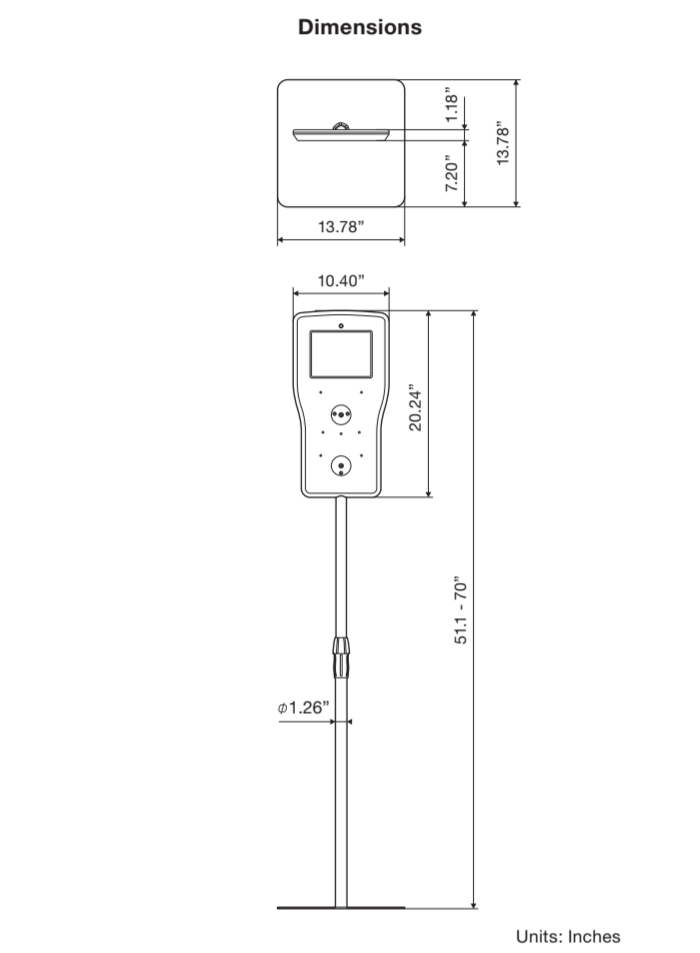


Principal Parts 5

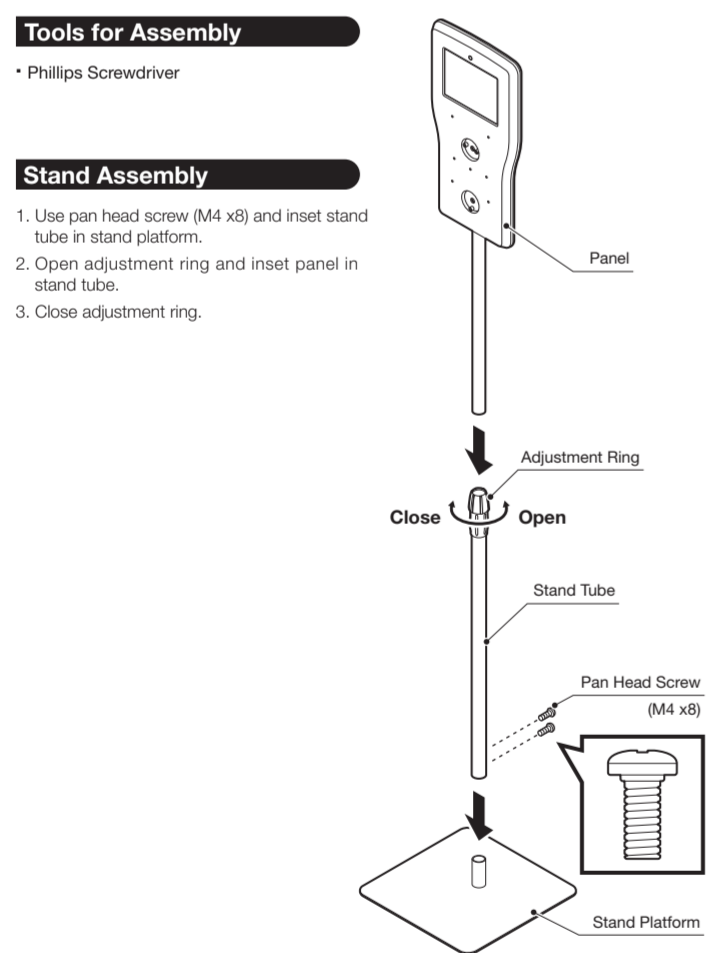
Control Panel

	Power Button	On/Off
	Menu Button	Open Menu Screen
	Play/Pause Button	Image Screen ... Play/Pause Image Menu Screen ... Enter Setup Screen ... Enter
	Fast Forward/Rewind Button	Image Screen ... Fast Forward/Rewind Menu Screen ... Up/Down Setup Screen ... Selecting Item
	Volume Button	Image Screen ... Volume Adjustment Menu Screen ... Left/Right Setup Screen ... Selecting Item Pattern

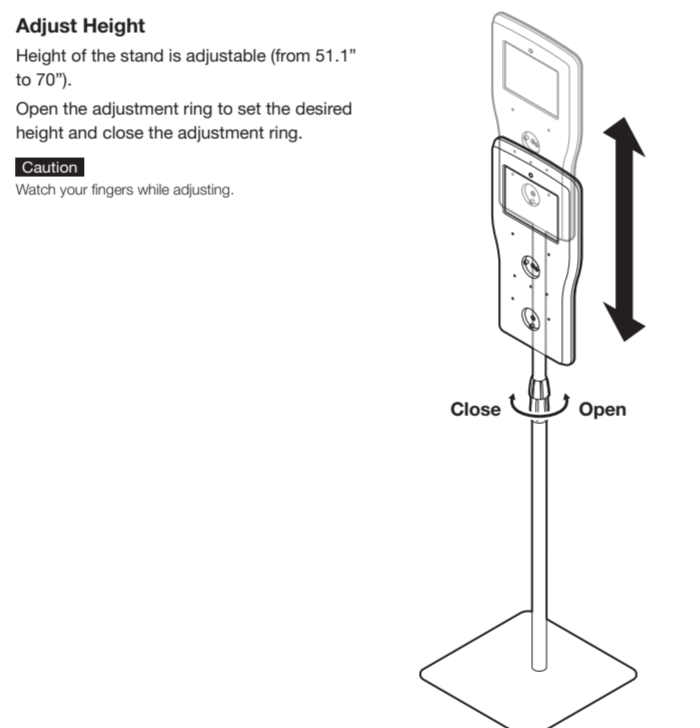
Principal Parts 6



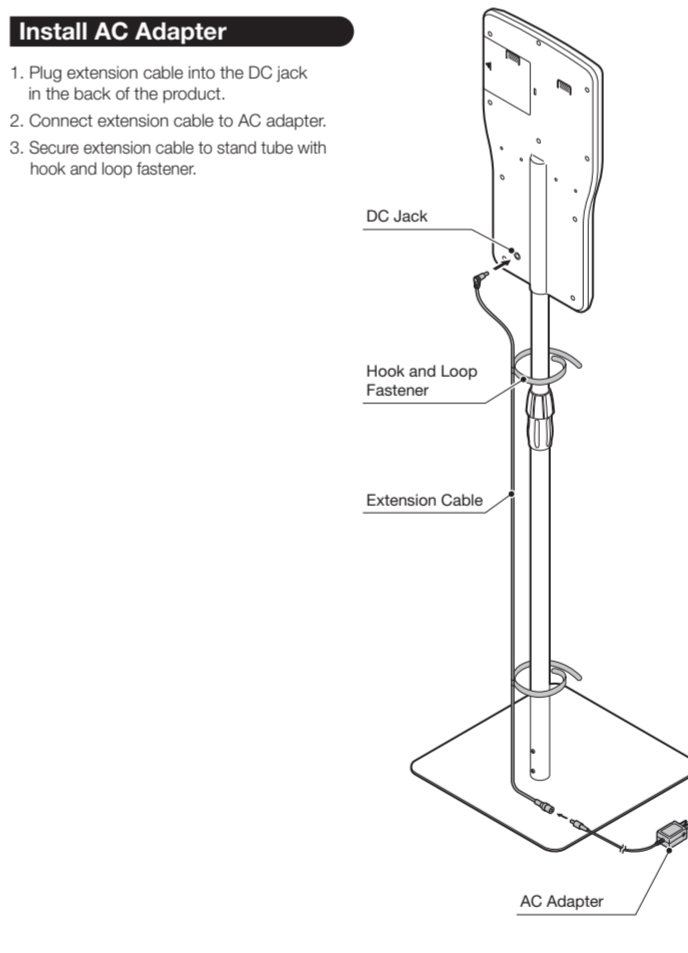
Assembly 7



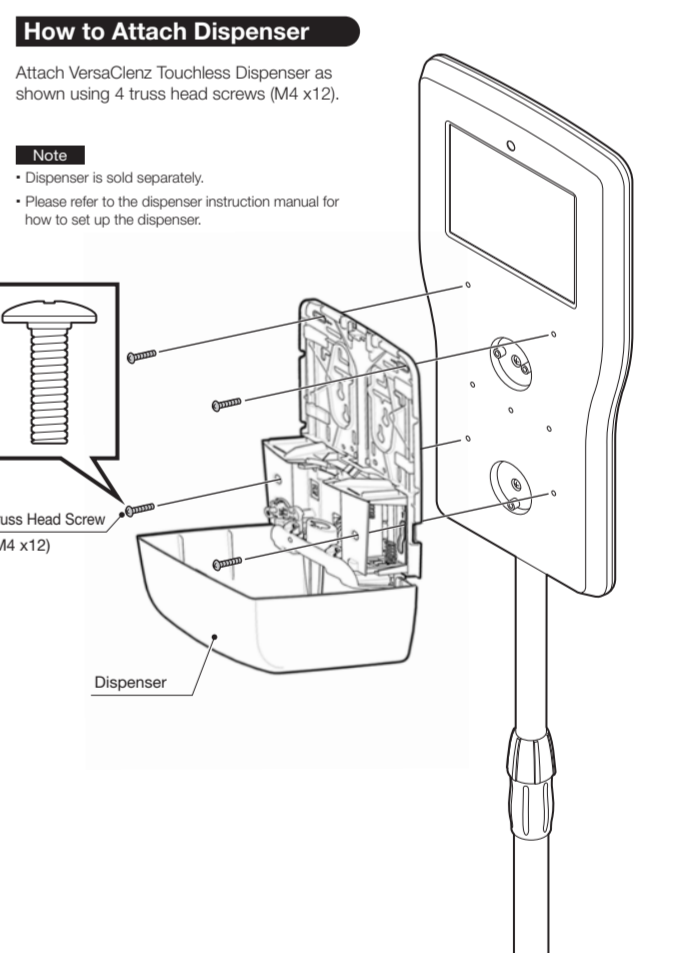
Assembly 8



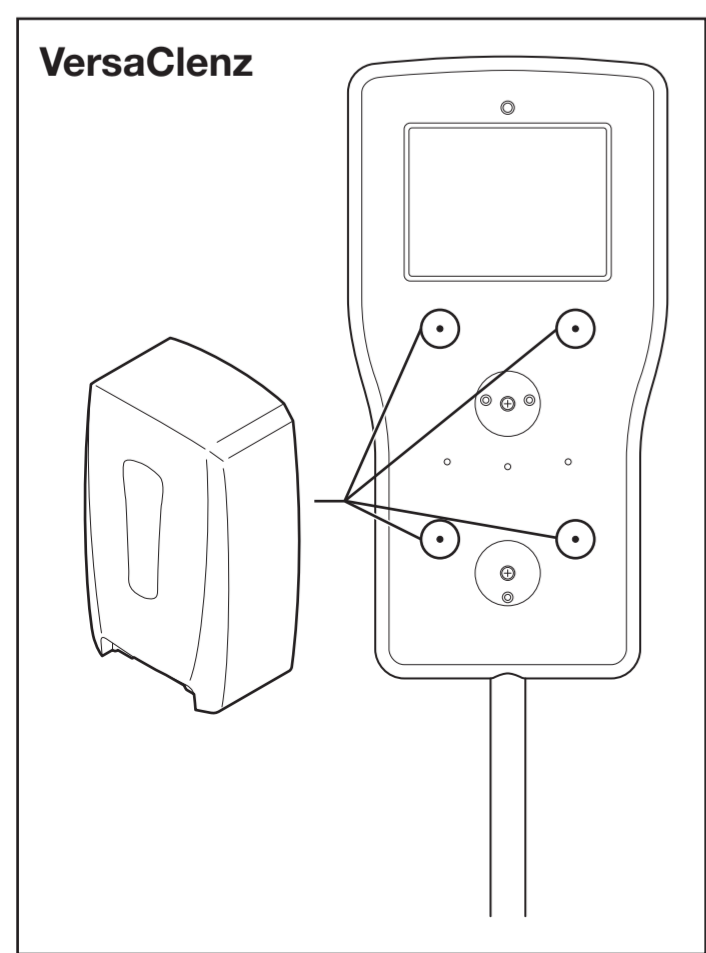
Assembly 9



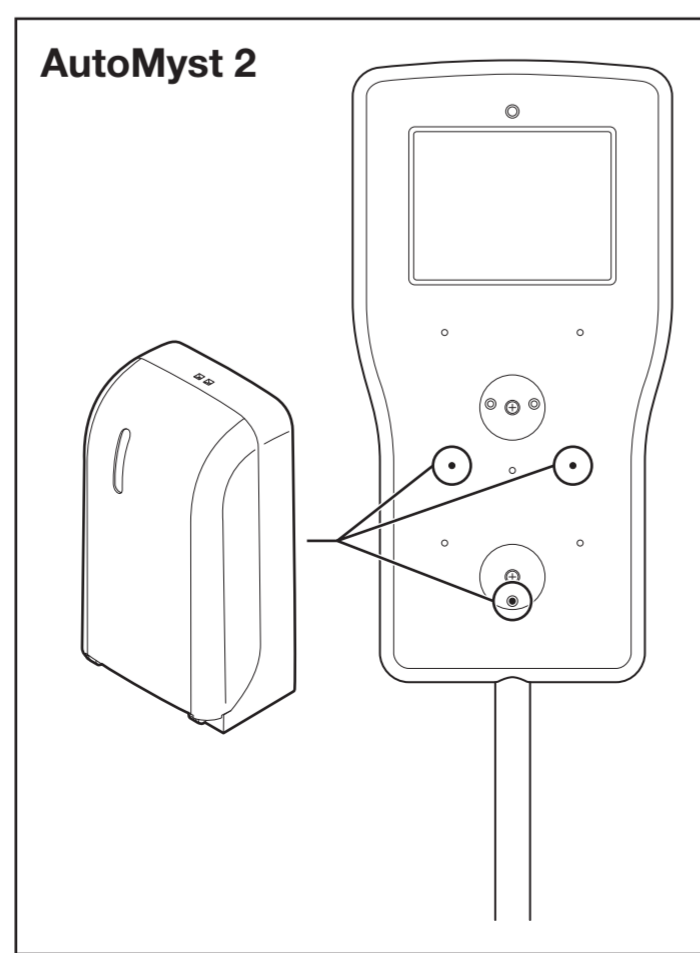
Attaching VersaClenz Dispenser 10



Attach the Dispenser 11



Attach the Dispenser 12



How to Use 13

How to Open and Close Cover

To open, insert key and slide cover to the left.
To close, slide cover to the right until it clicks.

Prepare USB Flash Drive or SD Card

Your BrandStand Video can play the following image, movie and music file formats: JPEG, MPEG1, MPEG2, MP3 and WMA.

1. Create a folder named Autoplay on the USB flash drive or SD card.
2. Place data into the Autoplay folder.

Note
Only the data saved in the Autoplay folder will be played.

